

Sika Leafguard

Injection moulded Polypropylene Leafguard

Product Description

The **Sika Leafguard** is made of rigid high quality polypropylene (PP) basket and acrylnitril butadiene styrol copolymer (ABS) fixing wing by injection moulding procedure.

Uses

The **Sika Leafguard** is used as a gravel and leaf protection for various roof drains in conjunction with flat roofs systems..

Characteristics / Advantages

- Outstanding resistance to weathering, including UV irradiation
- Outstanding stress-cracking resistance
- Recyclable

Tests

Approvals / Standards

- Complies with EN 1253
- Quality management system EN ISO 9001/14001

Product Data

Form

Appearance

Surface: smooth

Colour

Black

Packaging

Packed in a PE bag. Depending on the order quantity, despatched in a carton or on a pallet.

Storage

Storage Conditions

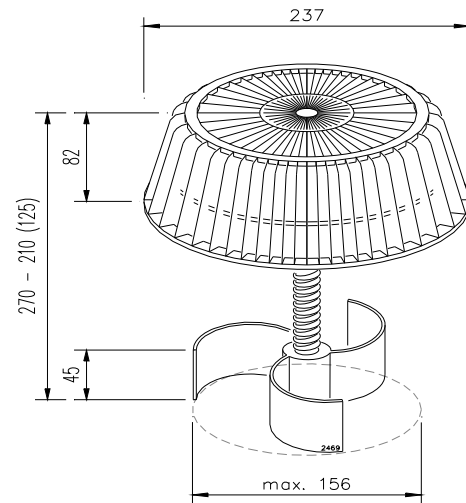
The **Sika Leafguard** shall be stored in dry conditions.

Shelf-Life

The **Sika Leafguard** does not expire during correct storage.

Roofing





Art. no.	Basket outside diameter	Basket height	Suitable for
468988	237 mm	82 mm	Roof drains 56mm – 160mm

Technical Data

Material Basis	Basket: Polypropylene (PP) Fixing wing: Acrylnitril butadiene styrol copolymer (ABS)
-----------------------	---

System Information

System Structure	Compatible products: Roof drains 56mm – 160mm
-------------------------	---

Application Conditions / Limits

Temperature	The use of the Sika Leafguard is limited to geographical locations with average monthly minimum temperatures of -50 °C. Permanent ambient temperature during use is limited to +50 °C.
--------------------	--

Installation Instruction

Product Data Sheet

Edition 11.2014

Identification no. 02 09 45 05 145 0 000999

Version no. 02

Installation Method

- Mark the diameter of the outlet on the stabilisation wings (add ca. 3mm)
- Cut the wings to length using a suitable tool such as shears
- Install the stabilisation wings into the throat of the outlet ensuring a tight fit. Leave enough of the threaded bar exposed in order to accept the basket.
- Screw the basket onto the threaded bar

Notes on Installation / LimitsTemperature limits for the installation of the **Sika Leafguard**:

Substrate temperature: -30 °C min. / +60 °C max.

Ambient temperature: -20 °C min. / +60 °C max.

Installation of some ancillary products, e.g. contact adhesives / cleaners is limited to temperatures above +5 °C. Please observe information given by Product Data Sheets.

Special measures may be compulsory for installation below +5 °C ambient temperature due to safety requirements in accordance with national regulations.

Value Base

All technical data stated in this Product Data Sheet are based on laboratory tests. Actual measured data may vary due to circumstances beyond our control.

Local Restrictions

Please note that as a result of specific local regulations the performance of this product may vary from country to country. Please consult the local Product Data Sheet for the exact description of the application fields.

Ecology, Health and Safety Information

A Safety Data Sheet following EC-Regulation 1907/2006, Article 31 is not needed to bring the product to the market, to transport or to use it. The product does not damage the environment when used as specified.

REACH**European Community Regulation on chemicals and their safe use (REACH: EC 1907/2006)**

This product is an article within the meaning of Regulation (EC) No 1907/2006 (REACH). It contains no substances which are intended to be released from the article under normal or reasonably foreseeable conditions of use. Therefore, there are no registration requirements for substances in articles within the meaning of Article 7.1 of the Regulation.

Based on our current knowledge, this product does not contain SVHC (substances of very high concern) from the candidate list published by the European Chemicals Agency in concentrations above 0.1 % (w/w).

Protective Measures

Local safety regulations must be observed.

Transportation Class

The product is not classified as hazardous good for transport.

Disposal

The material is recyclable. Disposal must be according to local regulations. Please contact your local Sika sales organisation for more information.



Product Data Sheet

Edition 11.2014

Identification no. 02 09 45 05 145 0 000999

Version no. 02

Legal Note

The information, and, in particular, the recommendations relating to the application and end- use of Sika products, are given in good faith based on Sika's current knowledge and experience of the products when properly stored, handled and applied under normal conditions in accordance with Sika's recommendations. In practice, the differences in materials, substrates and actual site conditions are such that no warranty in respect of merchantability or of fitness for a particular purpose, nor any liability arising out of any legal relationship whatsoever, can be inferred either from this information, or from any written recommendations, or from any other advice offered. The user of the product must test the product's suitability for the intended application and purpose. Sika reserves the right to change the properties of its products. The proprietary rights of third parties must be observed. All orders are accepted subject to our current terms of sale and delivery. Users must always refer to the most recent issue of the local Product Data Sheet for the product concerned, copies of which will be supplied on request.

Contact Details

For further information please contact:

Sika Liquid Plastics
Sika House
Miller Street
Preston
Lancashire
PR1 1EA

Enquiry Line: 01772 259781

Fax: +44 (0)1772 255670

E-mail: liquidplastics@uk.sika.com

Registered office: Sika Ltd, Watchmead, Welwyn Garden City, Hertfordshire, AL7 1BQ
Registered in England: 226822

Roofing



Sika Leafguard

